

70510 Underbench Workstation

Bottom-up Workstation for Avdel Speed Fasteners

A cost-effective workstation requiring minimum space and set-up. The base can be bolted to a workbench in seconds to provide a compact bottom-up fastening system. Foot pedal control leaves operator hands free to position the workpiece, reducing assembly time and operator fatigue. The hydraulic riveting unit provides a smooth riveting operation, ideal for sensitive components.

Features and Benefits

- Bottom-up fastening
- Mandrel head provides jig point for components
- Foot pedal control, leaving both hands free to position the workpiece
- Easy alignment and precision assembly of small components
- Interlocked safety guard: tool cannot be operated unless guard is in position
- Pneumatic lines are concealed within base: the base can simply be bolted to a workbench
- Long-life detached intensifier can be floor or bench mounted to maximise workspace



Specifications

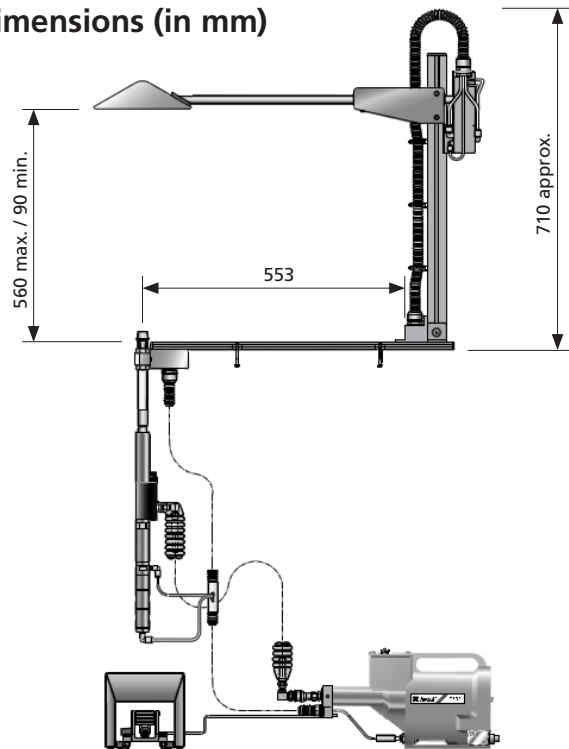
Pull force at 5.0 bar	3.0 kN
Stroke max.	30.0 mm
With 3 buffer stops as standard	21.0 mm
Cycle Time approx.	1.0 sec
Noise level	< 70 dB(A)
Air pressure supply	4.5 - 5.5 bar
Air consumption at 5.0 bar	2.6 l free air / sets
Intensifier ratio	32:1
Part-No. basic tool	70510-01000*
*nose equipment has to be ordered separately	

Placing Capability

The 70510 placing tool can place the full range of Speed Fastening® fasteners from diameter 2.4 mm to 6.4 mm.

For detailed information on placing capability and nose equipment please refer to the tool manual or contact your local STANLEY Engineered Fastening representative.

Dimensions (in mm)



STANLEY
Engineered Fastening

www.StanleyEngineeredFastening.com

© 2015 Stanley Black & Decker, Inc., Rev. 12.2015

Avdel® and Speed Fastening® are registered trademarks of Avdel UK Limited. POP® is a registered trademark of Newfrey LLC. Data shown is subject to change without prior notice as a result of continuous product development and improvement policy. Your local STANLEY Engineered Fastening representative is at your disposal should you need to confirm latest information.

Avdel UK Limited
Stanley House, Works Road
Letchworth Garden City, Hertfordshire SG6 1JY
Tel. +44 (0)1582 900-000 · Fax -001
enquiries2@sbdinc.com